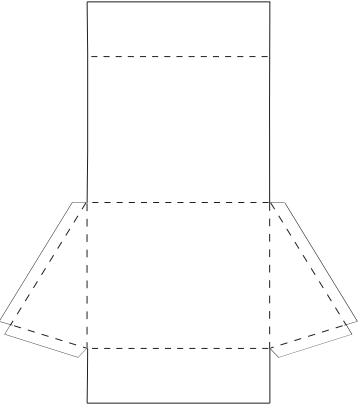
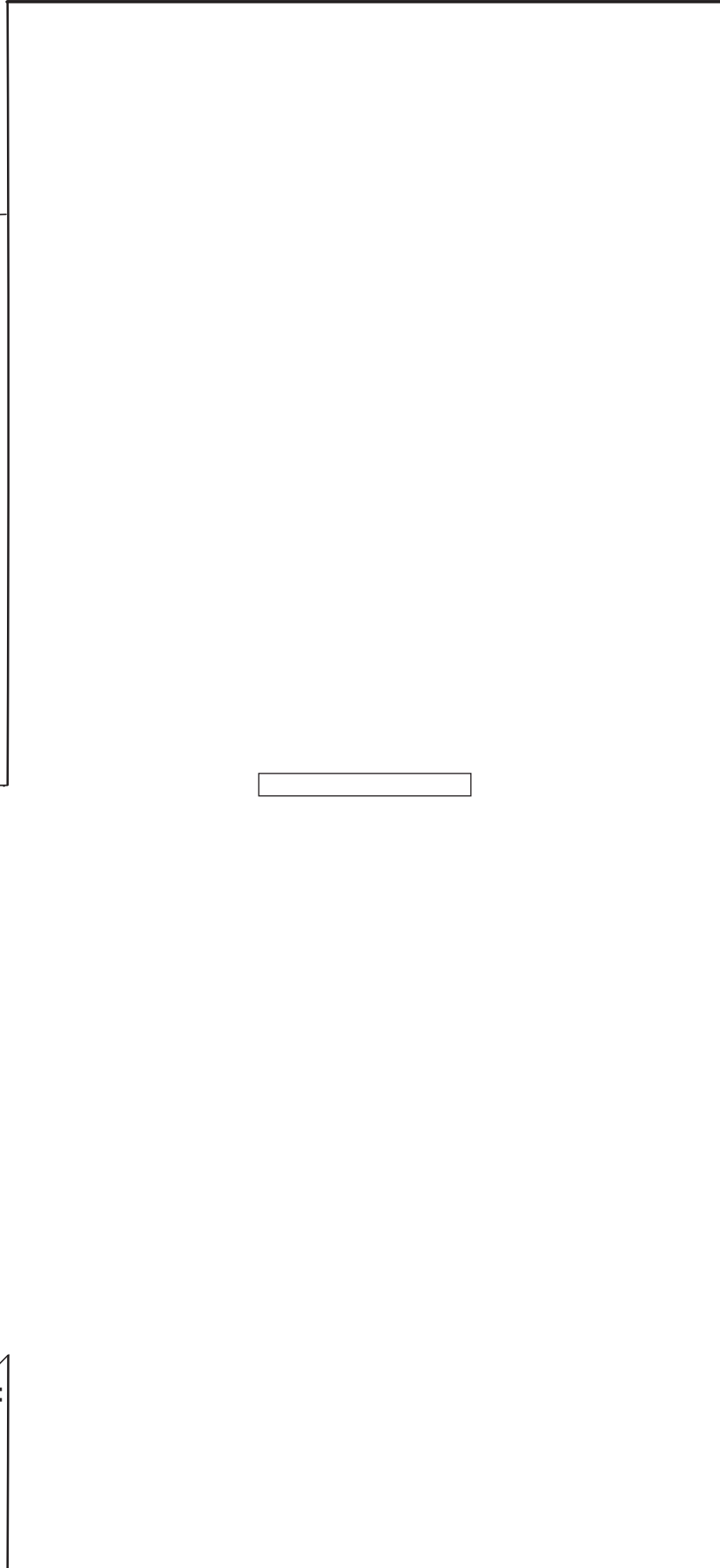


Paper Bank



B

With blade or bone folder,
lightly score lines:
{ dotted lines in
smaller illustration}

A to B

C to D

F to H

C to F

D to H

inner corners C to E, E to F

inner corners D to G, G to H

Cut out money slot

Cut out entire piece, inside lines

Fold scored lines and glue together

Plunk some coins in there

A

C

D

G

H

F

E